

# Engineering Management Major with a Manufacturing Technical Specialty Course Flow for 2023-24 (revised 6/2023)

**Student:**

**Advising Dates:**

## Freshman Year

## Sophomore Year

## Junior Year

## Senior Year

**Legend**  
 P – pre-req  
 C – co-req  
 P/C – pre or co-req

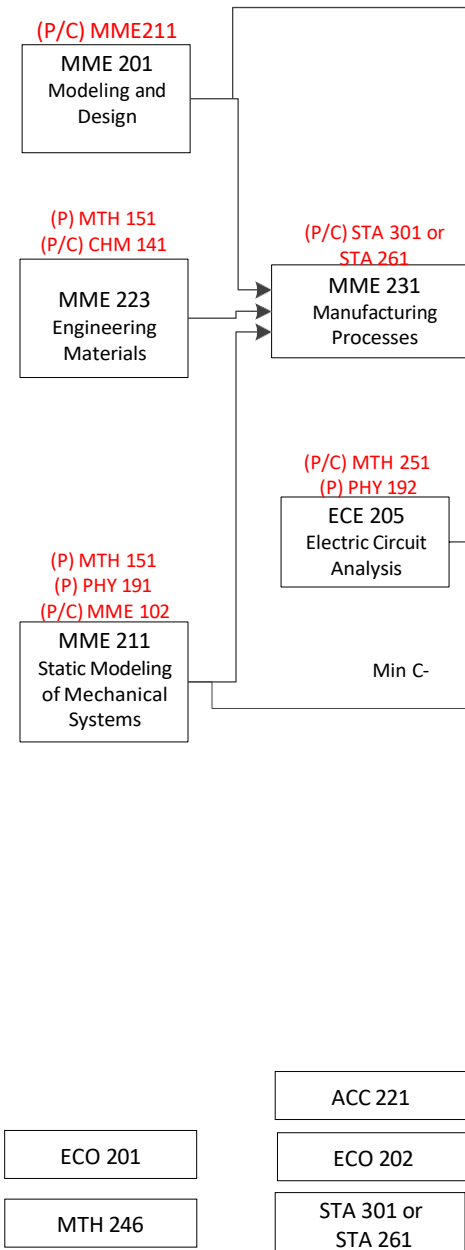
CEC 111  
 Imagination,  
 Ingenuity, and  
 Impact I  
 (Fall only)

CEC 112  
 Imagination,  
 Ingenuity, and  
 Impact II  
 (Spring Only)

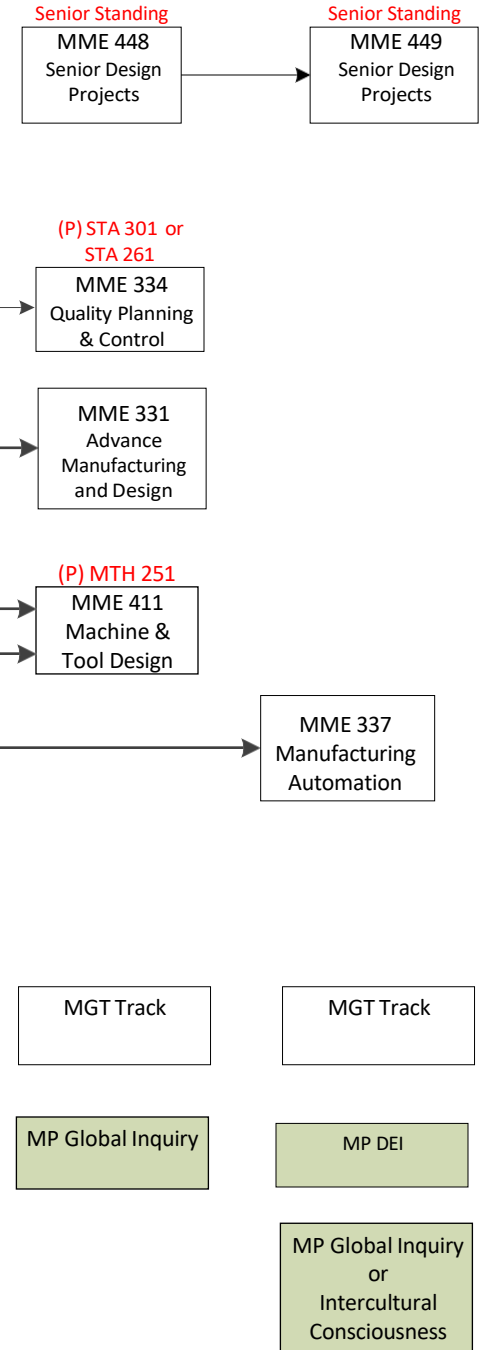
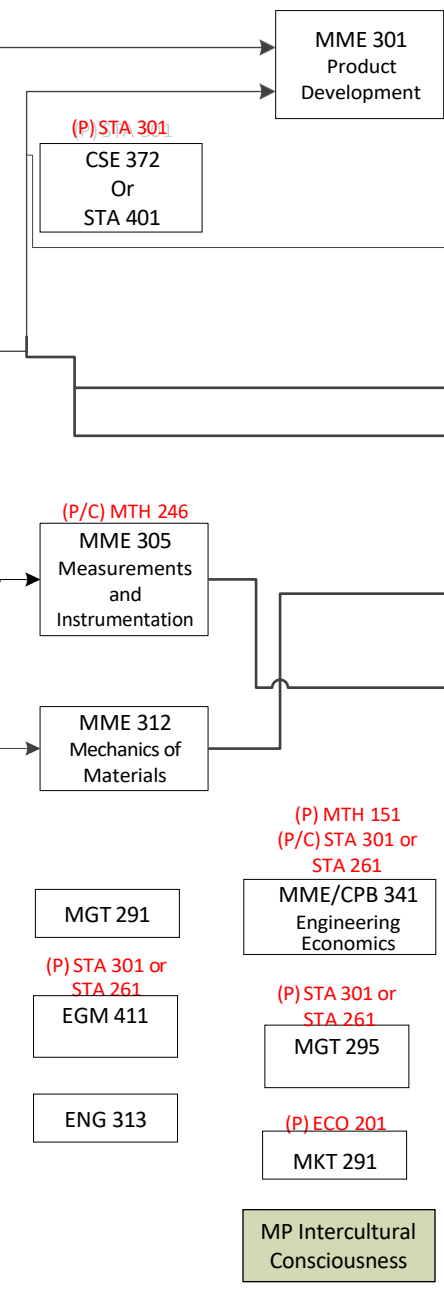
- |         |         |
|---------|---------|
| MTH 151 | MTH 251 |
| PHY 181 | PHY 182 |
| PHY 183 | CHM 141 |

Students in the Honors Program need to consult with Honors advisors on selection of their Honors customized educational plan INSTEAD of Miami's general education requirements.

- |                  |                |
|------------------|----------------|
| ENG 111          | MP Humanities. |
| MP Creative Arts |                |



**Student's Choice - in consultation with advisor.**  
 Note pre/co-requisites and terms offered.



Textual Description of Engineering Management with a Manufacturing Technical Specialty Course Flowchart

This chart shows the courses needed to graduate, when those courses are typically taken, and the order in which the courses must be taken. The main area of the chart shows four boxes, one each for first-year, sophomore, junior, and senior years. Within each year, classes are shown in roughly two columns representing fall then spring semester. Courses are listed within each semester to indicate when the course is typically taken. An arrow leaving a course and pointing to another course indicates that the first course must be taken prior to taking the second course. Below all the years is a section containing a collection of courses that can be taken when convenient for the student and therefore no particular semester is recommended. All students may have some variation in degree plans, be sure to be communication with your academic advisor.